

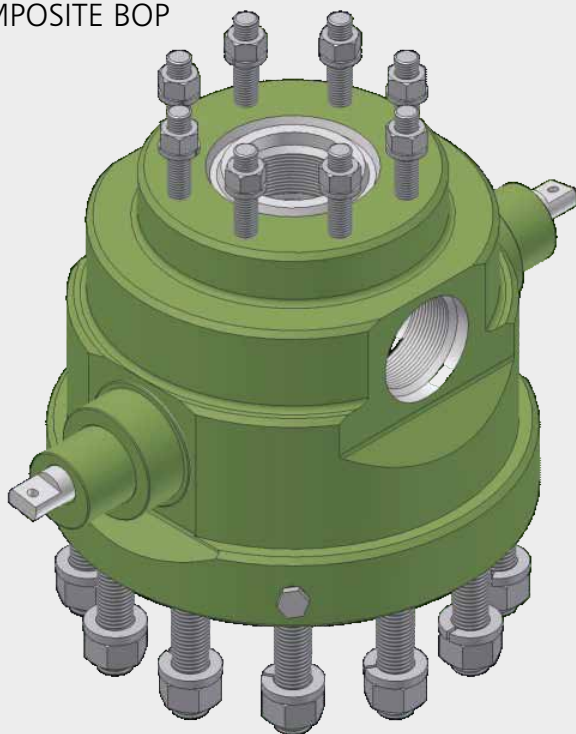
COMPOSITE BOP



BOP with integrated Flow Tee

With the COMPOSITE BOP NETZSCH offers higher safety and efficiency for the oil well Connection System.

COMPOSITE BOP



Advantages

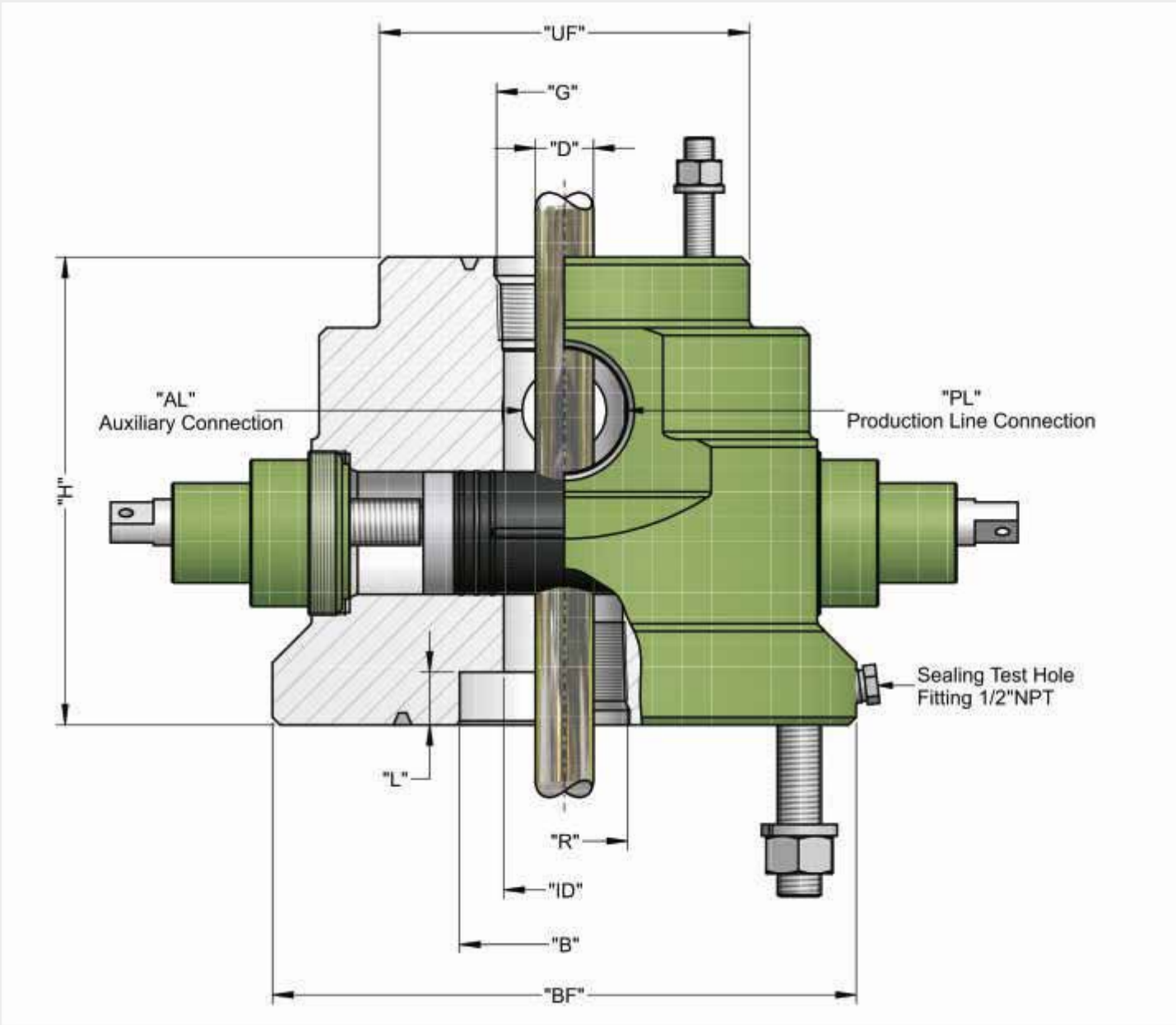
- Less investment for well completion.
- Higher connection flexibility.
- Prevents Blowout of the system.
- Reduces installation height of the drive head.
- Ensures additional Blow-Out protection of the production piping (Pipeline) in case of its maintenance or failure.
- Ensures operation safety during maintenance of the polished shaft's sealing system, avoiding blow-Out during intervention.
- More rigid and compact installation, reduction of localized tensions ensuring higher mechanical resistance of the assembly and better vibration absorption.
- Flanged and threaded connections according to API norms.
- Sealing test connection.
- Shaft BOP installation connection.

Technical Data and Assembly Dimensions

Blow Out Preventor with integrated Flow Tee											
BF - Lower Connection	UF - Upper Connection	PL Thread	AL Thread	D-Polished Shaft	ID	G	H	Optional			Approx. Weight (Kg)
								API thread	Tubing Hanger fitting		
								R	B	L	
2.9/16" - 5000 psi	3.1/8"- 2000 psi	2"LP	1/2"NPT	7/8"	66	3"LP	305	2.7/8"	-	-	170
7.1/16" - 3000 psi								3"LP	1"NPT	1"	
7.1/16" - 5000 psi	4"LP	2"LP	1"LP	1.1/8"	108	4.1/2"EU	4"				136,7
11" - 3000 psi							4"LP	2"LP	1"LP	1.1/4"	108
11" - 5000 psi	4"LP	2"LP	1"LP	1.1/2"	108	4.1/2"EU					
11" - 5000 psi							4"LP	2"LP	1"LP	1.9"	108
11" - 5000 psi	4"LP	2"LP	1"LP	1.9"	108	4.1/2"EU					

* Dimensions in millimeters if not specified otherwise.
 * Other dimensions available, please consult our engineering dept.

Technical Data and Assembly Dimensions



* NETZSCH reserves the right to modify this information without previous notice.