

# N.Mac<sup>®</sup> Channel

## TWIN SHAFT GRINDER FOR CHANNEL INSTALLATION

This channel version design N.Mac<sup>®</sup> twin-shaft grinder is ideal for fragmenting large and solid objects in a liquid media and suits various applications such as waste water treatment or grinding of food and fruit scraps. This housing design allows installation in sewers to avoid blockages and by crushing foreign substances. It can be mounted horizontally for gravity-fed solids. Optional mounting above an open hopper pump is available. The housing is also available in an inline design with flanges to integrate into pipelines.

### Features

- Twin shaft technology with internal rotation for size reduction of solids
- Energy efficient motors, from 3 -5 HP / 2.2 - 4 kW
- Low speed cutters at high torque
- Cartridge style cutters make for easy maintenance and load dispersion
- Optional control unit to reverse direction of rotation in case of blockages
- Five different cutting teeth for various applications
- Dual recessed and self-collapsing lifing tabs for simple pull-out for servicing

### Your benefits

- Unique shock absorption system
- Mechanical seals with quench
- Optional cleaning combs for fibrous materials
- Cutting devices in cartridge system
- Patented bearing and mechanical seal cartridges US #9,422,985 B2
- 3 Year Warranty

### Main applications

- Waste water treatment plants
- Slaughterhouses and recycling centers
- Food waste
- Crushing of foreign matter such as plastic, bags and bottles, shoes, textiles, aluminum cans, tin scrap, and lids.



N.Mac<sup>®</sup> 50C



N.Mac<sup>®</sup> 120C



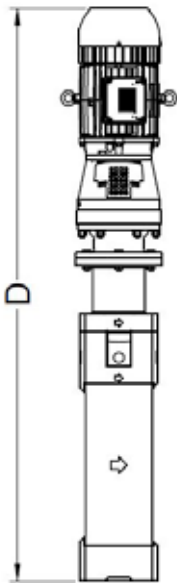
N.Mac<sup>®</sup> 250C



N.Mac<sup>®</sup> 400C

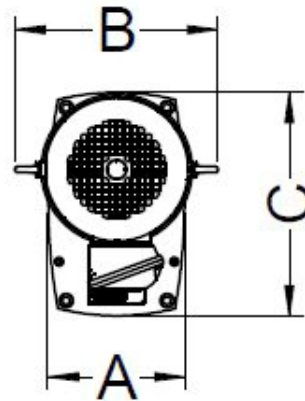
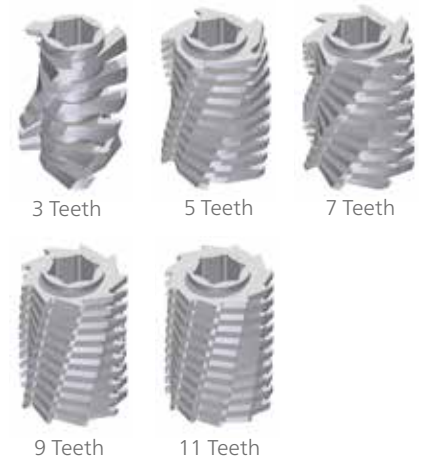
## Cutters

Specific cutter geometries for each type of solids facilitate the particle reduction process. To reach the required particle size the different cutters with 3 to 11 teeth may be combined accordingly.



## Wear resistance

The cutters are thermally hardened to increase resistance and maintain sharpness assuring reliable grinding of the toughest solids.



## Controller

Controller is available with automatic starting direction to ensure even wear of the knives and shear plate. The controller also can detect jammed media and run through a sequence or auto reversal three times to free the unit before shutting down and setting off alarm.

## Flow rates and dimensions

Sizes	Flow rate (gpm / m <sup>3</sup> /h)	Approximate weight (lbs / kg)	Dimensions (inches / mm)			
			A	B	C	D
N.Mac® 50C	220 / 50	375 / 170	7.48 / 190	11.4 / 290	12.2 / 310	48.2 / 1,225
N.Mac® 120C	528 / 120	440 / 200	7.48 / 190	11.4 / 290	12.2 / 310	55.1 / 1,400
N.Mac® 250C	1,100 / 250	575 / 260	7.48 / 190	11.4 / 290	12.2 / 310	68.8 / 1,750
N.Mac® 400C	1,760 / 400	705 / 320	7.48 / 190	11.4 / 290	12.2 / 310	84.4 / 2,095



NETZSCH Pumps North America, LLC · 119 Pickering Way · Exton, PA 19341 · USA  
Phone: 610-363-8010 · Fax: 610-363-0971 · npa@netsch.com · www.netsch.com

NETZSCH Canada Incorporated · 500 Welham Road · Barrie, ON L4 8Z7 · Canada  
Phone: 705-797-8426 · Fax: 705-797-8427 · ntc@netsch.com · www.netsch.com