

NETZSCH

Proven Excellence.



System *TANGO*®

For the Production of Cocoa Liquor

NETZSCH TANGO®

For the Production of Cocoa Liquor

The unique combination of the *MASTERNIBS* beater blade mill and the *MASTERREFINER* agitator bead mill makes it possible to produce finest cocoa masses.



Beater Blade Mill *MASTERNIBS* – Pre-Crushing of Cocoa Nibs

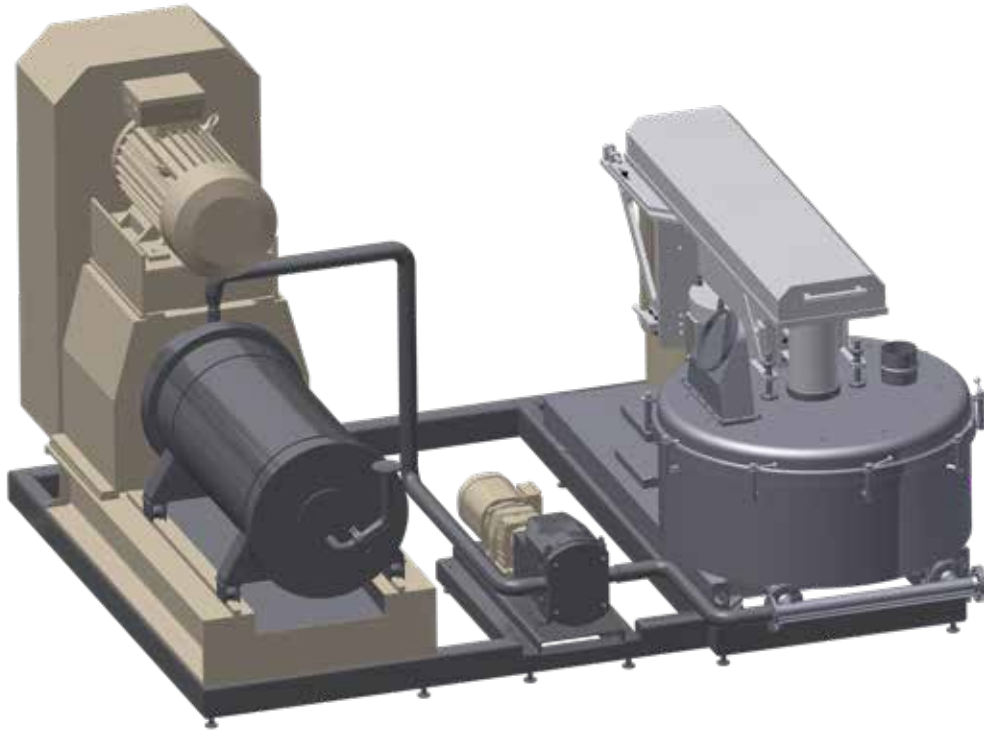
- 1 V-belt drive on top
 - The top-mounted drive allows better access to the tools and tank
- 2 Bearing easily accessible via the lid
 - The arrangement of the bearing facilitates better/more efficient cooling of the grinding chamber and lower process temperatures
- 3 Flange connection to lift and swivel the lid with rotor
 - Quick exchange of beaters outside the grinding chamber
 - Quick and easy cleaning of tank, grinding tools and screen
 - Easy removal of screen and exchange of grinding tools



Horizontal Agitator Bead Mill *MASTERREFINER* – Fine Grinding of Cocoa Liquor

- Efficient single pass operation
- High throughput
- Small footprint
- Low energy consumption
- Use of smaller grinding beads achieves a finer product

Possible TANGO® System Set-Up




Type	Consisting of	Troughput [kg/h]
TANGO® 1000	MASTERNIBS 1000 + MASTERREFINER 200	750 - 1 000
TANGO® 2000	MASTERNIBS 2000 + MASTERREFINER 500	1 500 - 2 000
TANGO® 4000	MASTERNIBS 4000 + MASTERREFINER 1000	3 000 - 4 000

Throughput is influenced by the type of bean, shell content and desired fineness.

Typical properties of cocoa nibs:

- Fat content > 50 % *
- Shell content < 2 %
- Moisture < 1.5 %
- End fineness 99.5 - 99.8 % < 75 µm / 200 mesh (W.S.R.)

*Additional fat is required for cocoa nibs with a fat content < 50 %



The NETZSCH Group is an owner-managed, international technology company with headquarters in Germany. The Business Units Analyzing & Testing, Grinding & Dispersing and Pumps & Systems represent customized solutions at the highest level. More than 3,800 employees in 36 countries and a worldwide sales and service network ensure customer proximity and competent service.

Our performance standards are high. We promise our customers Proven Excellence – exceptional performance in everything we do, proven time and again since 1873.

Proven Excellence. ■

Business Unit Grinding & Dispersing – The World's Leading Grinding Technology

NETZSCH-Feinmahltechnik | Germany
NETZSCH Trockenmahltechnik | Germany
NETZSCH Vakumix | Germany
NETZSCH Lohnmahltechnik | Germany
NETZSCH Mastermix | Great Britain
NETZSCH FRÈRES | France
NETZSCH España | Spain
ECUTEK | Spain

NETZSCH Machinery and Instruments | China
NETZSCH India Grinding & Dispersing | India
NETZSCH Tula | Russia
NETZSCH Makine Sanayi ve Ticaret | Turkey
NETZSCH Korea | Korea
NETZSCH Premier Technologies | USA
NETZSCH Equipamentos de Moagem | Brazil

NETZSCH Food & Confectionery
Sedanstraße 70
95100 Selb
Germany
Tel.: +49 9287 797 269
Fax: +49 9287 797 149
www.netzsch.com/confectionery

NETZSCH-Feinmahltechnik GmbH
Sedanstraße 70
95100 Selb
Germany
Tel.: +49 9287 797 0
Fax: +49 9287 797 149
info.nft@netzsch.com

NETZSCH®

www.netzsch.com